

Divino The 8 - Divino 23 - Divino 35 Wine Cellars

Installation and usage instructions

1. SAFETY	3
1.1 Before putting the product into operation.....	3
1.2 Technical safety.....	4
1.3 Intended use.....	4
1.4 Contraindications of use	5
1.5 List of dangers.....	6
1.6 Residual risks	7
2. General information	8
2.1 Manufacturer identification	8
2.2 Product identification	9
2.3 Consulting the manual	11
2.4 Operator qualification.....	12
3. Product description	13
3.1 Main components.....	13
3.1.1 Divino The 8 Wine Cellar.....	13
3.1.2 Divino 23 - Divino 35 Wine Cellars.....	14
3.2 Technical data	15
3.3 Dimensions.....	16
3.3.1 Flange size	16
3.4 Control modes	17
3.5 Lighting modes.....	19
3.6 Available accessories	21
4. Installation	22
4.1 Packaging checks and removal	23
4.2 Environmental conditions	24
4.3 Ventilation	24
4.4 Positioning the device.....	27
4.4.1 Divino The 8 model positioning	28
4.4.2 Divino 23 - Divino 35 model positioning.....	29
4.5 Reversing the door.....	30
4.6 Electrical connection.....	31
4.6.1 Size of electrical cables for the Divino The 8 model.....	32
4.6.2 Low voltage protection for the Divino The 8 model.....	32

5. Usage instructions	33
5.1 Switching on	33
5.2 Usage recommendations.....	34
5.3 Temperature setting.....	34
5.3.1 Setting the temperature on the Divino The 8 model.....	35
5.3.2 Setting the temperature on the Divino 23 model	36
5.3.3 Temperature setting for the Divino 35 model	37
5.4 Positioning bottles inside the product	38
5.5 Positioning accessories	40
5.5.1 Metal grids for the Divino The 8 model	40
5.5.2 Wooden shelves for Divino 23 - Divino 35 models	41
5.6 Shut-down and putting out of service	42
6. Maintenance	43
6.1 Routine maintenance.....	44
6.1.1 Cleaning.....	44
6.1.2 Cleaning the condensing unit.....	45
6.1.3 Checking for condensation inside the compartment	46
6.1.4 Defrosting.....	47
6.2 Special maintenance	48
7. Troubleshooting	49
7.1 LEDs for diagnostics of the Divino The 8 model	51
7.2 Display Diagnostics	53
8. Warnings for disposal	54
9. Warranty	55
10. Attachments	57
10.1 Divino The 8 wiring diagram.....	57
10.2 Divino 23 - Divino 35 wiring diagram.....	58
11. Notes	59

1. SAFETY

1.1 Before putting the product into operation

Read the usage and assembly instructions carefully. They contain important information for the installation, use and maintenance of the product.

The manufacturer cannot be held liable for any damage resulting from improper and/or unreasonable use.

Keep all documentation for future use or for any subsequent owners.

- Store this manual in an accessible location protected from moisture and heat and protected from the direct rays of the sun.
- Use the manual in such a way as to avoid damaging it or any part of its content.
- Do not remove, alter or tear on any part of the manual.

Despite the care and thoroughness with which this manual has been prepared, the Manufacturer cannot guarantee that the information within covers every possible event associated with installation of the product. Contact our technicians immediately in the event of uncertainty. In the event of selling or transferring the product to another person, this manual and related documents should be delivered intact to the new user.

IMPORTANT



This manual refers to the standard version of the product. Non-standard machines may have minor differences not described in this manual.
Contact the Manufacturer with any concerns or questions.

1.2 Technical safety

This product contains a small amount of refrigerant R134a, a gas classified as non-hazardous and non-flammable, but if mixed with pressurised air and exposed to certain temperatures (above 50° C), it may ignite.

When transporting and installing the product, take care not to damage any part of the refrigerant circuit.

If the refrigerant should forcefully exit from the circuit:

- Keep open flames or potential sources of fire away from the product
- Ventilate the room where the product is located well for a few minutes
- Switch off the product and pull out the power plug
- Notify the authorised Customer Service Department

DANGER



Contact a doctor immediately in case of inhalation, skin or eye contact.

Never switch on the product if it shows signs of damage. Contact the Manufacturer with any concerns or questions.

If this product's mains connection cable is damaged, it must be replaced by the manufacturer, customer service or a similarly qualified person authorised by the Manufacturer.

Installations and repairs carried out by unqualified persons can create considerable danger to the user.

Repairs may only be carried out by the manufacturer, customer service or a similarly qualified person authorised by the Manufacturer.

Only original manufacturer spare parts may be used. The manufacturer can guarantee that the safety requirements are met on when these parts are used.

1.3 Intended use

This product is designed to preserve certain size wine bottles and is intended exclusively for use in recreational vehicles and boats. The product is not suitable for any other use. Any use that does not comply with the indications in this manual is to be considered improper and dangerous.

WARNING



The Manufacturer declines all responsibility for accidents to persons or property deriving from the non-observance of the provisions and instructions listed in this manual and from the non-observance of the safety and accident prevention regulations in force in the various countries.

This product must not be handled and/or used by children under 8 years of age and/or persons with reduced physical, sensory or cognitive abilities unless they are supervised and/or adequately instructed with regard to the methods of use by a person responsible for their safety and aware of all the possible risks involved.

1.4 Contraindications of use

WARNING



The product is only suitable for the preservation and/or storage of wine bottles. Wines should be stored in their original bottle for optimal preservation.

DANGER



Exposing the product to temperatures above the temperature of the climatic class range for which the product was built, power supply interruptions and/or frequent opening of the door can influence the effectiveness of the product and the quality of the wines it contains.

The user should always check wine quality before ingesting.

WARNING



The packaging elements (plastic bags, expanded polystyrene, etc.) must not be left within the reach of children or incapacitated persons: they are potential sources of danger.

DANGER



This product must not be handled and/or used by children under 8 years of age and/or persons with reduced physical, sensory or cognitive abilities unless they are supervised and/or adequately instructed with regard to the methods of use by a person responsible for their safety and aware of all the possible risks involved.

Keep the product and its power cable out of reach of children under 8 years of age and prevent them from playing with the product (avoid the risk of entrapment and suffocation inside the product). Cleaning and maintenance are meant to be performed by the user and must not be performed by unsupervised children.

DANGER



Keep children under 8 years of age away from the product or under constant supervision. Do not allow children to play with the product. Children may become entangled and suffocate. Do not allow children to clean or perform maintenance on the product without supervision.

WARNING



Do not use mechanical, electrical or chemical methods to accelerate defrosting, which must occur automatically; doing so creates a risk that the refrigerant circuit can be perforated. Do not touch the internal cooling parts: doing so creates a danger of burn or injury.

WARNING



Do not store inside the product or in the vicinity of its electrical parts: flammable substance-based spray cans, explosive materials, electrical equipment, live animals. Spray cans containing flammable substances may have leakage of these gases which, in contact with electrical parts, can ignite or cause explosions.

Store wine bottles tightly closed.

Avoid flames or sparks inside the product.

Do not use electrical equipment inside the product.

1.5 List of dangers

DANGER



REFRIGERANT GAS

When transporting and installing the machine, take care not to damage any part of the refrigerant circuit. Make sure that the circuit has not been damaged during transport and, if it has, please promptly contact qualified personnel certified to handle fluorinated gases.

Always keep any sources of ignition at a safe distance during use, maintenance and disposal.

DANGER



REFRIGERANT GAS

This product contains refrigerant gas R134a within a hermetically sealed system whose operation depends on the presence of said gas.

DANGER



RISK OF INJURY FROM LEAKING REFRIGERANT

Never open the refrigerant circuit except for the normal connection/disconnection of couplings (where present). Never release the refrigerant R134a contained in the product into the environment.

Operations on the refrigeration circuit must be carried out by specialised technicians who are familiar with the basic principles of refrigeration, the refrigeration system, refrigerants and the potential dangers that high pressure units can cause.

Appropriate PPE such as gloves and goggles must worn during these operations. Contact with refrigerant can cause serious damage to eyesight and contact with the skin can cause freezer burns.

In addition, respiratory protection must also be provided if the environment in which the product is located is not sufficiently ventilated.

DANGER

**ELECTRICAL MAINS**

Always disconnect the power supply from the product before carrying out any work on it in order to avoid damage and health hazards.

DANGER

**HIGH INTENSITY LIGHT HAZARD**

The product is equipped with high luminous intensity LED lighting. Avoid direct eye exposure to the light beams.

DANGER

**AUTHORISED TECHNICAL PERSONNEL**

Only technical personnel specialised in electrical, hydraulic and refrigeration fields can work on the product. All wiring and hydraulic components must comply with national and local laws (use only original spare parts certified by the Manufacturer when replacing components).

DANGER



For extended periods of disuse or when defrosting, remove the unit's light bulb or disconnect all of its power supplies. Leave the product door slightly open to air out the inside and prevent the formation of mould.

DANGER



Disconnect the product from the mains power supply immediately in the event of any malfunction. Never touch any damaged or non-insulated electrical cables while the electrical power supply is enabled. This observation is particularly true when the product is connected to 115V or 230V mains voltage.

The power cable must be replaced if damaged. Contact qualified personnel or your nearest Service Centre.

DANGER



Do not use plugs and switches if you have wet hands or feet.

1.6 Residual risks

The product is safe in its operating conditions. There are, however, residual risks, listed in the list of dangers which are contained when the product is used correctly, following the instructions in the use and maintenance manual.

2. General information

The use and maintenance manual is an integral and essential part of the product and must be delivered to the user. It is important that it be well kept and carefully consulted as it contains specifications on the operation, maintenance and safety and product and the people and/or property that come into contact with it.

Please contact the Manufacturer with any concerns or questions about the indications provided in this manual.

The Manufacturer is excluded from any contractual and extra-contractual liability for damage caused by errors in the use and installation of the product, or in any case by failure to comply with the instructions given by the Manufacturer.

IMPORTANT



The Manufacturer reserves the right to modify the product and the related technical documentation without incurring any obligation towards third parties and does not accept responsibility for any errors or inaccuracies in the contents of this manual. This use and maintenance manual describes the characteristics of the standard product as of the date on which this publication was licensed for printing.

2.1 Manufacturer identification

Indel Webasto Marine Srl

Via Montefeltro, 118/c - Secchiano
47863 - Novafeltria (RN) - ITALY
www.indelwebastomarine.com

The Manufacturer is at your disposal for technical assistance or for the request of spare parts.

The use of original spare parts is recommended when replacing product parts. The Manufacturer declines all responsibility for any deterioration in product performance or for damage caused to the product due to the use of non-original parts.

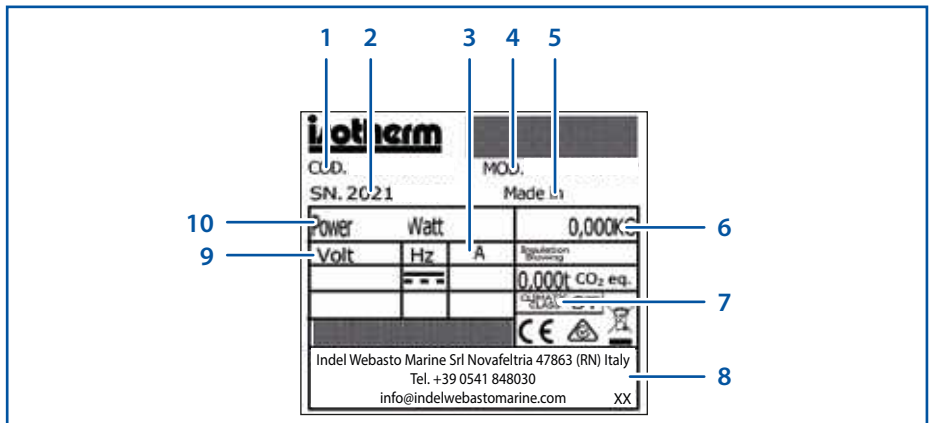
2.2 Product identification

This manual refers to the following machines:

Divino The 8 - Divino 23 - Divino 35

Make sure that the product delivered to you is equipped with the identification plate shown below:

- 1) Code
- 2) Serial number
- 3) Rated current
- 4) Model
- 5) Country of production
- 6) Type and quantity of gas
- 7) Climate class
- 8) Manufacturer identification
- 9) Working voltage
- 10) Rated power

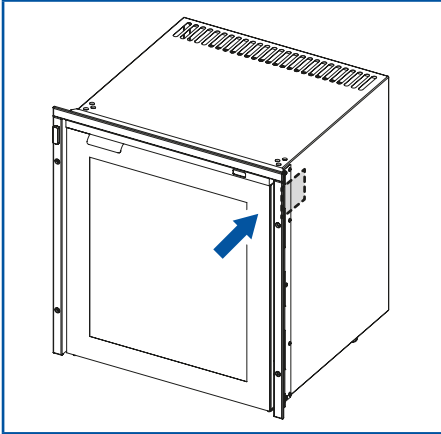


It contains the model, serial number and all the technical data of the product necessary to request spare parts or to report technical problems to the service centre.

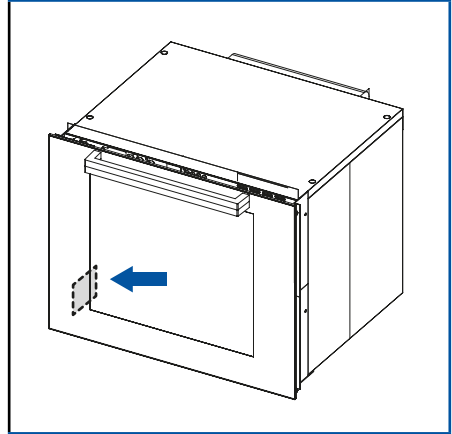
The products meet the requirements of the EMC directive and bears the CE marking.

Identification plate position:

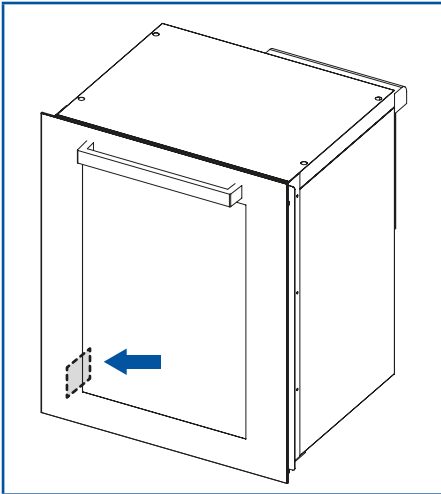
Divino The 8 Wine Cellar



Divino 23 Wine Cellar



Divino 35 Wine Cellar



2.3 Consulting the manual

Warnings or instructions considered critical or dangerous are highlighted with the following symbols for a better understanding of the information provided in this manual:

DANGER



Indicates information or a message which may seriously endanger the health and safety of operators if not strictly observed.

WARNING



Indicates information or a precaution that must be observed to avoid operations that may damage the product.

IMPORTANT



Indicates important information that must be observed to avoid operations that may damage the product, or any part of the text that you want to highlight.

OBLIGATION TO READ INSTRUCTIONS



The presence of this symbol mandates reading of instructions before putting the product into operation.

OBLIGATION TO DISCONNECT



The presence of this symbol mandates immediate disconnection of the product from the mains in case of failures.

OBLIGATION TO WEAR GLOVES



The presence of this symbol mandates each operator wear suitable protective gloves.

OBLIGATION TO WEAR SHOES



The presence of this symbol mandates each operator wear shoes designed to decrease the risk of injury.

OBLIGATION TO WEAR GOGGLES



The presence of this symbol requires each operator to wear eye protection equipment, such as safety goggles with side protection.

2.4 Operator qualification

In order to ensure that all operations carried out on the product are performed in safe conditions, the operators in charge must have the qualification and requirements to carry out the relative operations.

The operators are classified as follows:

USER



Unqualified operator, or rather without specific skills, able to carry out only simple tasks, i.e. use of the product through the use of the controls located on it and intervention for simple cleaning situations, following the instructions of this manual during use of the product.

Cannot perform operations intended for an installer.

INSTALLER



Operator qualified to carry out complex operations such as installation or maintenance. This is an operator who has been adequately trained through specific activities.

IMPORTANT



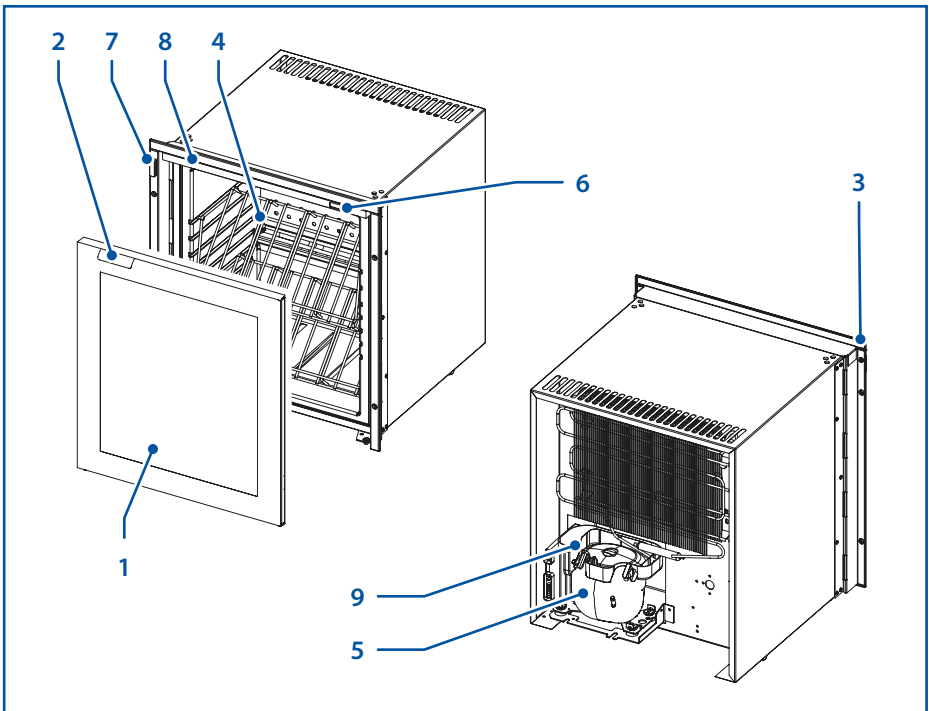
The pictogram at the beginning of each paragraph indicates the person authorised to carry out the operations described.

3. Product description

The product referred to in this manual mainly consists of a storage compartment whose main function is to ensure optimal storage conditions for wines, which are placed inside in special bottles.

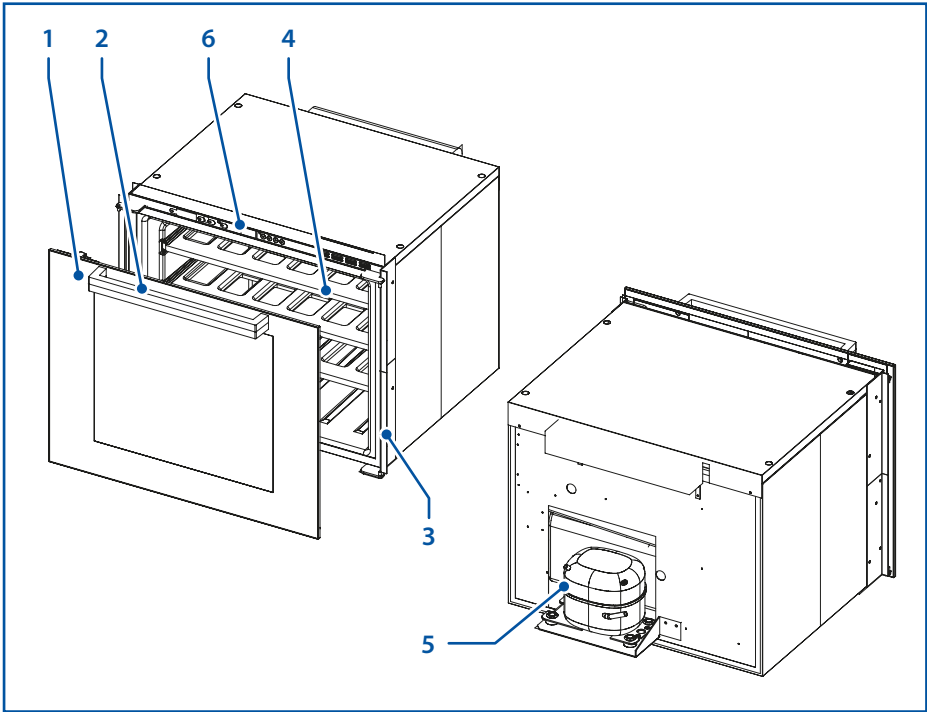
3.1 Main components

3.1.1 Divino The 8 Wine Cellar



- 1) Door
- 2) Opening handle
- 3) Mounting flanges
- 4) Grid
- 5) Compressor
- 6) On/Off/Operation mode selector switch
- 7) Safety lock
- 8) Internal LED lighting
- 9) Drip tray

3.1.2 Divino 23 - Divino 35 Wine Cellars



- 1) Door
- 2) Opening handle
- 3) Mounting flanges
- 4) Shelf
- 5) Compressor
- 6) Temperature setting display

IMPORTANT



These models are supplied with an additional safety lock to be installed close to the compartment where the product is placed.

3.2 Technical data

	Divino The 8	Divino 23	Divino 35
Total capacity	8 bottles	23 bottles	35 bottles
Energy consumption	0.49 KWh/24h	0.9 KWh/24h	0.9 KWh/24h
Cooling medium			
Compressor for 12V/24V	BD 35 F	-	-
Compressor for 115V	-	PL 30 F	PL 30 F
Compressor for 230V	-	PL 35 G	PL 35 G
Gas	R134a		
Power supply	12V/24V	115V-60Hz or 230V-50Hz	115V-60Hz or 230V-50Hz
Climate class	ST		
Weight (kg)	25.5	30.5	32.5

IMPORTANT (*)



The product has been designed for use with wine bottles having dimensions equal to or smaller than a Bordeaux-type bottle.
The maximum capacity of the product shown in the table cannot be guaranteed if the product is used for bottles of wine that are larger than the Bordeaux type.

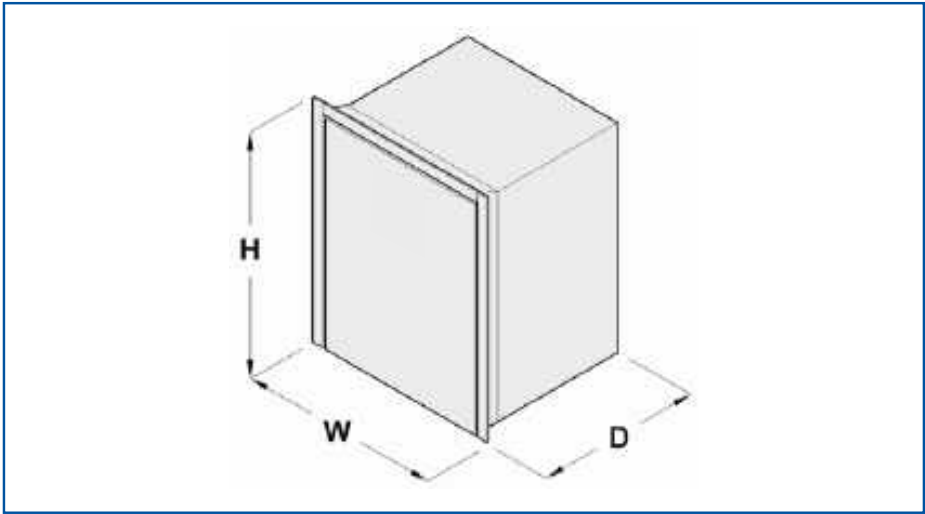
IMPORTANT (**)



These values may vary depending on the country in which the product is sold. Please refer to the identification plate inside the product for its specific characteristics.

The refrigerant gas used for all product models is R134a.

3.3 Dimensions



Model	Width (mm) [W]	Height (mm) [H]	Depth (mm) [D]
Divino The 8	510	571	491
Divino 23	538	462	588
Divino 35	544	715	588

3.3.1 Flange size

Model	Left (mm)	Right (mm)	Top (mm)
Divino The 8	20	20	20
Divino 23	/	/	/
Divino 35	/	/	/

3.4 Control modes

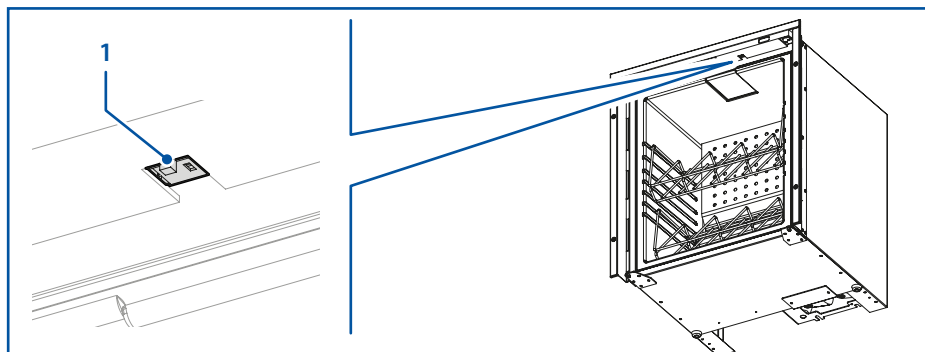
Divino The 8 Wine Cellar

The temperature of this model can be adjusted using the switch **(1)** shown in the figure.

IMPORTANT

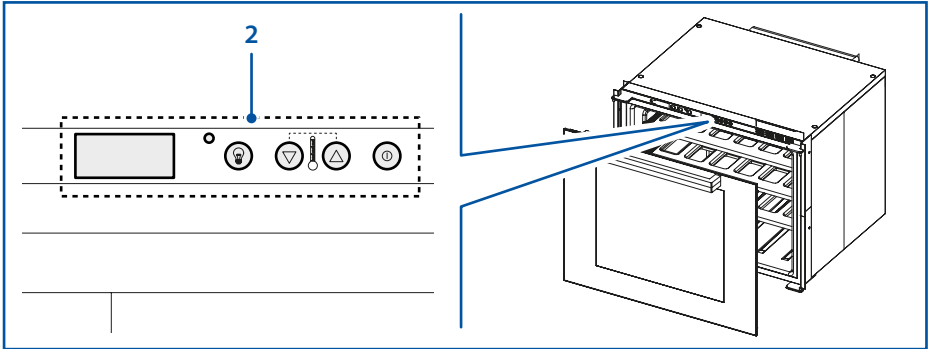


To find out how the switch works, please refer to paragraph 5.3.1 on page 35.



Divino 23 - Divino 35 Wine Cellar

The temperature of these models can be adjusted using the control panel (2) equipped with display, buttons and indicator lights.

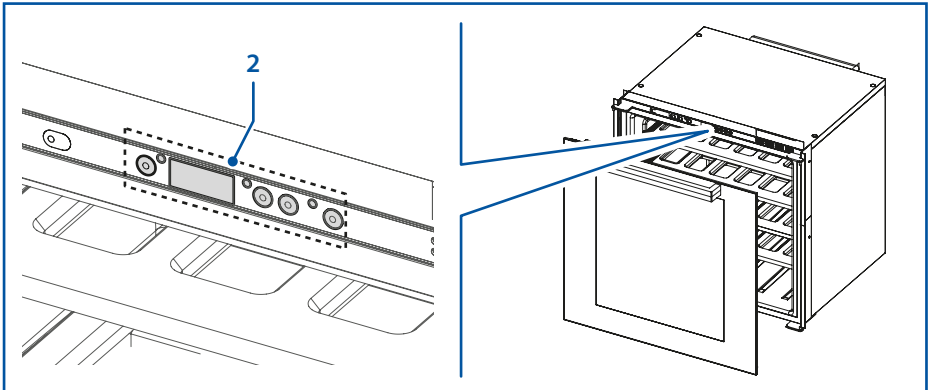


Control panel on Divino 23

IMPORTANT



To find out how the model Divino 23 control panel works, please refer to the paragraph 5.3.2 on page 36.



Control panel on Divino 35

IMPORTANT



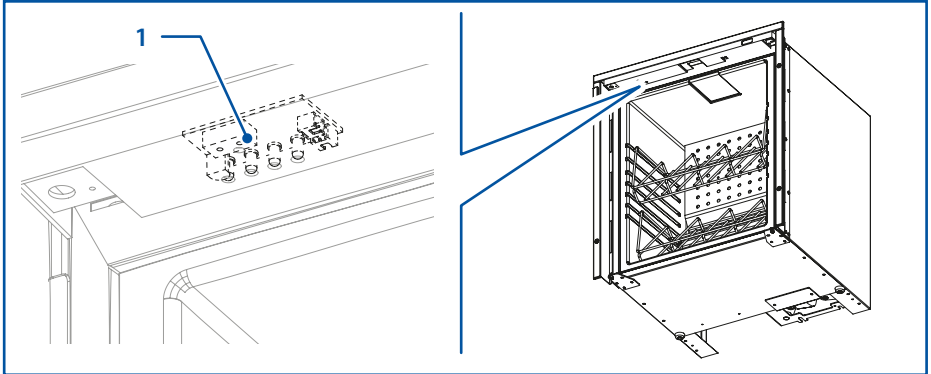
To find out how the model Divino 35 control panel works, please refer to the paragraph 5.3.3 on page 37.

3.5 Lighting modes

Divino The 8 Wine Cellar

This model features a strip **(1)** consisting of four LEDs installed in the upper part of the compartment. The LEDs light up each time the door is opened and switch off when the it is closed.

Lighting is deactivated when the product is switched off.



Divino 23 - Divino 35 Wine Cellar

These models feature a strip **(2)** consisting of four LEDs installed in the upper part of the compartment. The LEDs switch on/off only when the relative button **(3)** is pressed; the indicator light **(4)** shows whether the lights are on or off.

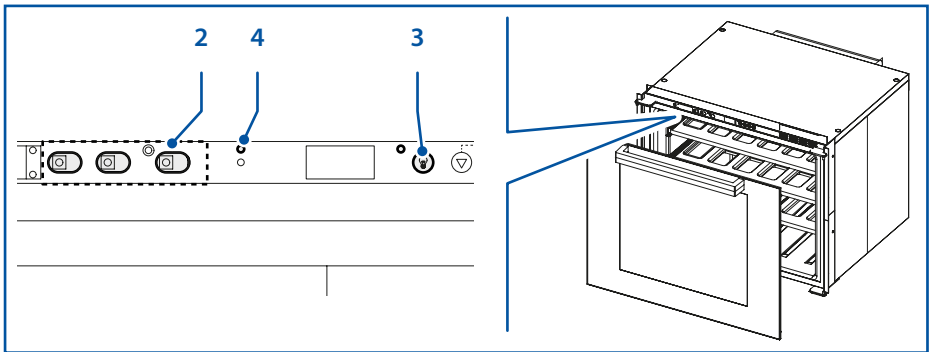
In any case, lighting is deactivated when the product is switched off.

The on/off button **(3)** can be reached even when the product door is closed.

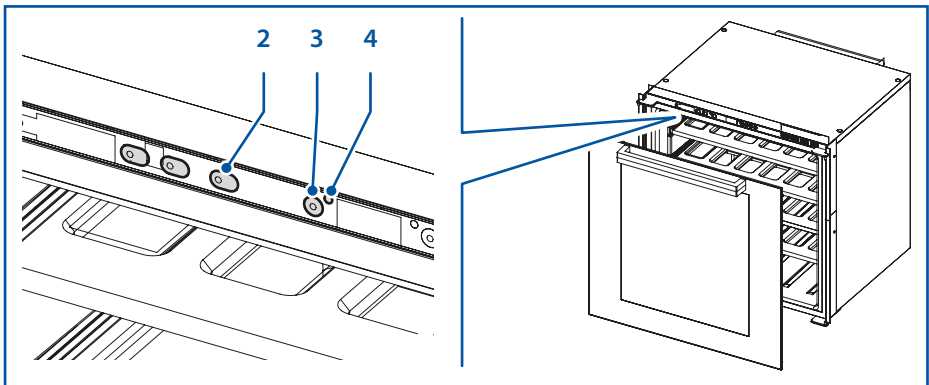
IMPORTANT



The LED strip does not turn on (or temporarily turns off) when the temperature inside the product compartment exceeds 24°C.



Lighting on Divino 23

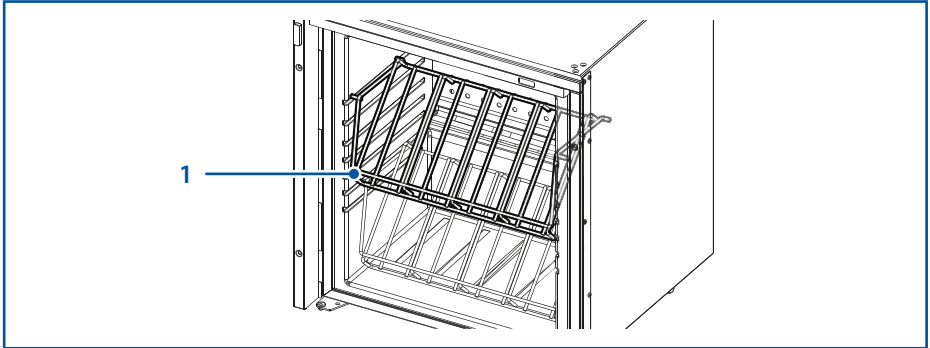


Lighting on Divino 35

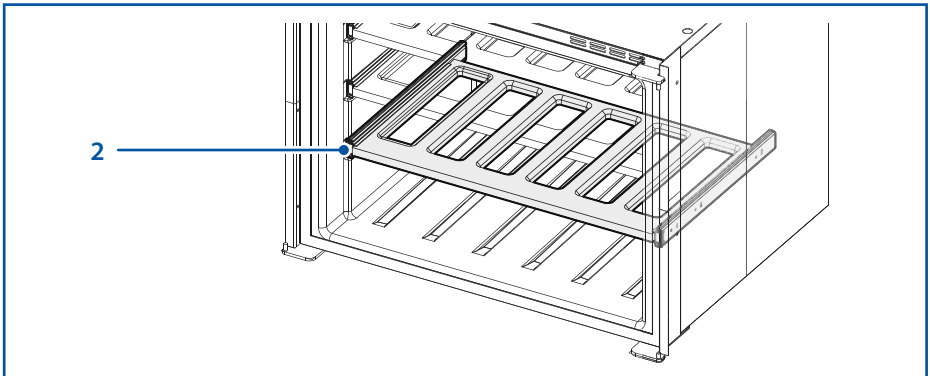
3.6 Available accessories

Available accessories are bottle positioning grids whose shape and material can change depending on the model.

- 1) Metal **grid** for storing wine bottles in a slanted position (Divino The 8 model)



- 2) Wooden **shelves** for storing wine bottles in a horizontal position (Divino 23 - Divino 35 models)



IMPORTANT



The size and number of accessories may vary depending on the model you have.

IMPORTANT



Please refer to paragraph 5.5 on page 40 for the positioning of accessories.

4. Installation

WARNING



In order to guarantee the unit's safe functionality, follow the indications included with in these instructions when installing and connecting the product.

WARNING



Any changes made to the product without the knowledge of the manufacturer will be the sole responsibility of those carrying out said changes. Changes made without the permission of the Manufacturer will void all warranties and may void the declaration of conformity to applicable directives.

WARNING



Do not damage the refrigerant circuit pipes, as leaking refrigerant can cause serious damage to eyesight and contact with the skin can cause freezer burns. In the event of damage to the product itself, notify the Manufacturer immediately before performing the connections.

WARNING



If the power cable is damaged, it must be replaced by the Manufacturer, an Authorized Service Centre or a qualified technician.
Install the product in a dry place that's sheltered against water spray. The unit's electrical components must NOT be exposed to rainfall and/or sprays of water.

WARNING



Install the product away from gas or LPG cylinders.

WARNING



The product must be installed in an area accessible for any maintenance.
The housing space of live parts and of the condensing unit/compressor must only be opened voluntarily and not directly accessible.

WARNING



The compressor/condensation unit installation area must be made with a material resistant to the needle-flame test required by standard IEC 60335 or else be more than 5 cm from electrical and/or electronic components.

WARNING



The product must be installed in power supply circuits whose sources are car/ caravan/RV batteries or boat batteries.

WARNING



If there is a battery charger, it must be connected to the battery and never directly to the product.

WARNING



Never short-circuit the poles of the power source.

WARNING



The product must be protected against indirect contact in accordance with the "Heavy Current Regulations".

WARNING



Never touch any damaged or non-insulated electrical cables while the electrical power supply is enabled. This observation is particularly true when the product is connected to 115 V or 230 V mains voltage.

4.1 Packaging checks and removal



The operations indicated in this paragraph must be performed by a qualified installer. Always use PPE (Personal Protective Equipment) to avoid cutting risks.

After unpacking, check all parts for transport damage.

In case of complaints, please contact the supplier from whom the product was purchased or our customer service department.

IMPORTANT



The product and accessories are wrapped with buffer materials or fixed with some adhesive tape to avoid movement of the moving parts during transport: remove them all before installation. Always transport the product in a vertical position.

IMPORTANT



The packaging protects the product from transport damage. All materials used are environmentally friendly and recyclable. Please do your part: dispose of packaging in accordance with environmental regulations. Please ask your specialised dealer or your local authority for information on current disposal routes.

4.2 Environmental conditions

The product must be positioned away from rain, sprays of water and in an environment with a temperature corresponding to the climate class (indicated on the data plate inside the product), otherwise the factory warranty will be void and faults may occur.

The product is not suitable for outdoor use.

The climate class is indicated on the data plate:

- SN or extended temperate class (ambient temperature from 10°C to 32°C)
- N or temperate class (ambient temperature from 16°C to 32°C)
- ST or subtropical class (ambient temperature from 16°C to 38°C)
- T or tropical class (ambient temperature from 16°C to 43°C)

4.3 Ventilation



The operations indicated in this paragraph must be performed by a qualified installer. Always use PPE (Personal Protective Equipment) to avoid cutting risks.

It is extremely important for the compressor/condensing unit located behind the product to be well ventilated so that the fresh air can enter at the bottom and pass behind the product, with the hot air being allowed to escape from the top or sides (see figure).

The compressor/condensation unit installation area must be made with a material resistant to the needle-flame test required by standard IEC 60335 or else be more than 5 cm from electrical and/or electronic components.

WARNING



Do not obstruct the ventilation windows.

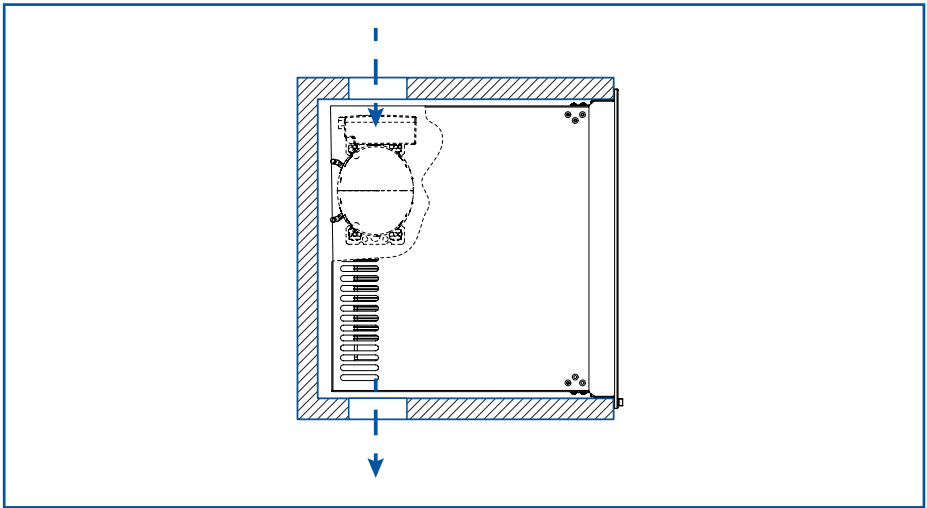
Divino The 8 Wine Cellar

The illustration shows an example of how the product housing must be set up to allow air recirculation for proper operation of the compressor which, in this model, is located at the bottom.

WARNING



The product will not work if air recirculation is not set correctly. The upper part of the product, where the ventilation openings are located, must not be obstructed.



After identifying the position of the compressor on the product, make the ventilation windows to allow proper air circulation in compliance with the following requirements (see also the indications in the figure):

- There must be at least two ventilation windows to ensure the correct intake of fresh air and exit of warm air.
- The ventilation windows must be positioned in such a way as to ensure the correct cooling flow, bearing in mind that the hot air outlet window must be positioned higher than the fresh air inlet window.
- The minimum surface area of each ventilation window must be 144 cm².

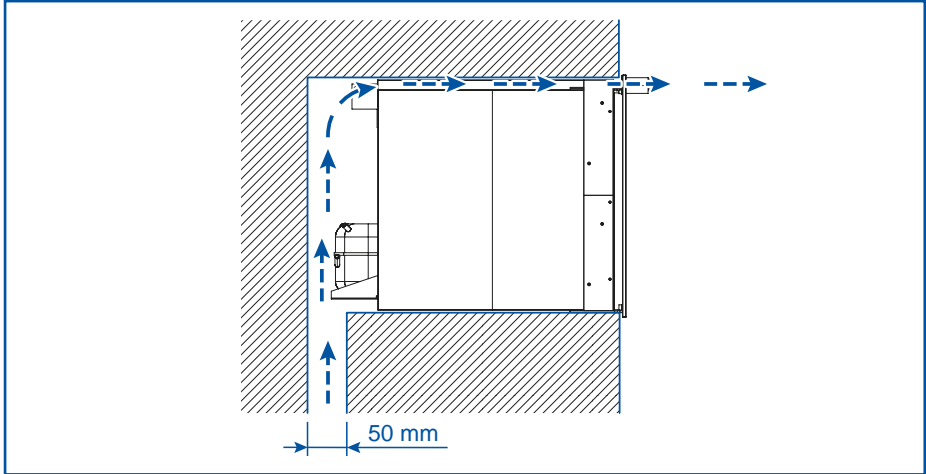
WARNING



Consider adding additional ventilation windows if the product is installed near other heat-generating equipment. This will prevent this heat from affecting the cooling flow required for the product and thus prevent a decrease in product performance.

Divino 23 - Divino 35 Wine Cellar

The illustration shows an example of how the product housing must be set up to allow air recirculation for proper operation of the compressor which, in this model, is located at the bottom.



Ventilation occurs through the front vents of the product. Cold air must be drawn in through the rear of the product (as shown in the figure), leaving an opening of at least 50 mm; hot air will then be drawn out through the top vent.

Make a rear opening for the passage of cold air to ensure proper cooling flow.

WARNING

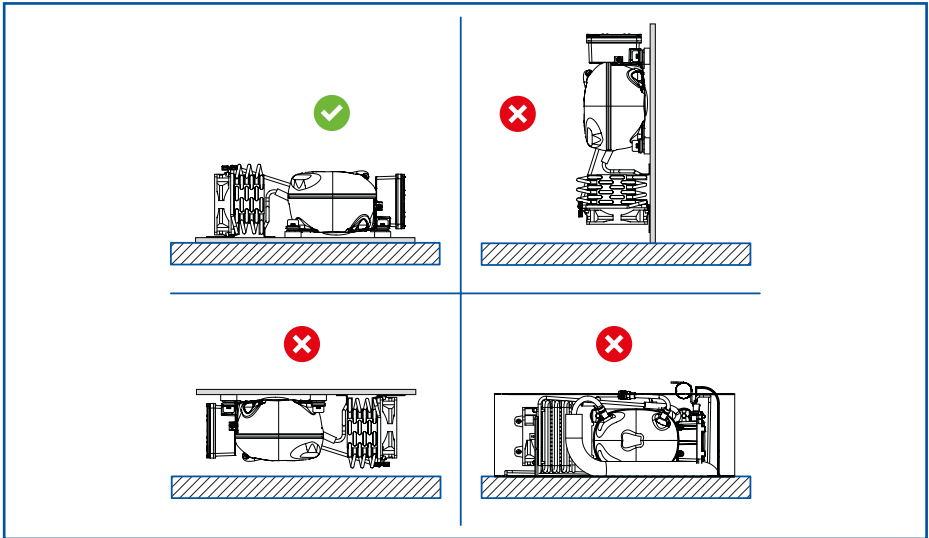


Consider adding additional ventilation windows if the product is installed near other heat-generating equipment. This will prevent this heat from affecting the cooling flow required for the product and thus prevent a decrease in product performance.

4.4 Positioning the device

The product is designed exclusively for built-in installation. The product must always be in a horizontal position.

In particular, the compressor base must be positioned horizontally (see figure).



WARNING



Remember that the compressor can operate up to a maximum inclination of 30°; a greater inclination may damage the compressor.

IMPORTANT



If the installation compartment is not deep enough to accommodate the compressor, in some models it can be moved to one of the other sides of the product. Contact a qualified installer to perform this procedure.

WARNING



The compartment in which the product is placed and installed must guarantee a lower support surface of sufficient capacity to support the weight of the product when fully loaded.

4.4.1 Divino The 8 model positioning



The operations indicated in this paragraph must be performed by a qualified installer. Always use PPE (Personal Protective Equipment) to avoid cutting risks.

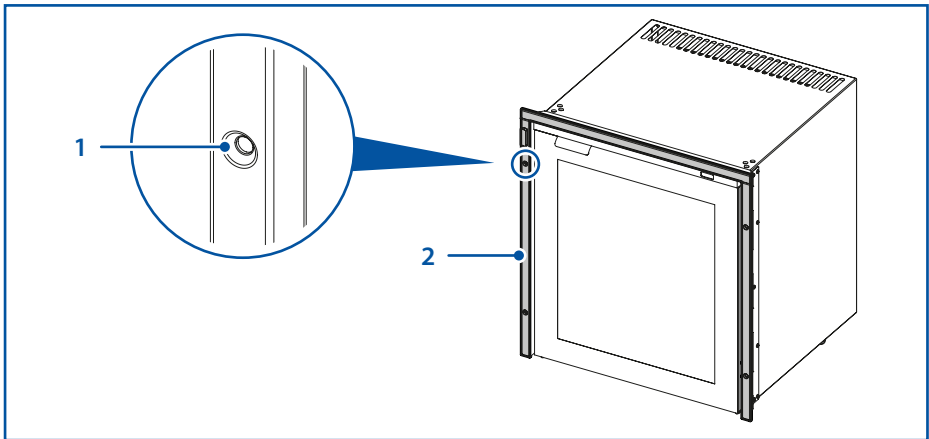
Use the holes **(1)** on the flange **(2)** to secure the product to the vehicle using suitable screws (not supplied).

Where the mounting flange cannot be used, the product should be anchored by at least 2 fastening points.

IMPORTANT



Secure the product so that it cannot tip/slide in the event of rough seas or in the case of sudden vehicle movement. The product should be anchored by at least 2 fastening points, in accordance with the provisions of the EN 60335-2-24 standard.



4.4.2 Divino 23 - Divino 35 model positioning

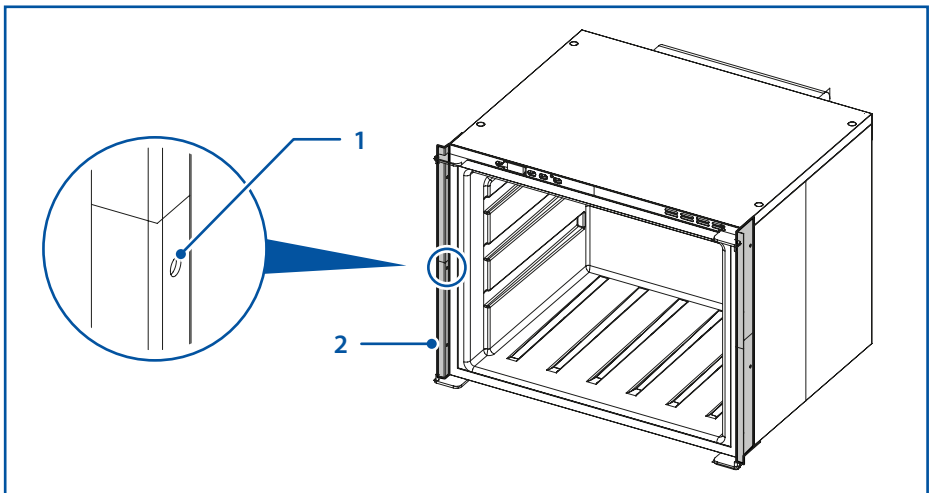
Use the holes **(1)** on the two side flanges **(2)** to secure the product to the vehicle using suitable screws (not supplied).

Where the mounting flanges cannot be used, the product should be anchored by at least 2 fastening points.

IMPORTANT



Secure the product so that it cannot tip/slide in the event of rough seas or in the case of sudden vehicle movement. The product should be anchored by at least 2 fastening points, in accordance with the provisions of the EN 60335-2-24 standard.



4.5 Reversing the door



The operations indicated in this section must be performed by a qualified installer. Always use PPE (Personal Protective Equipment) to avoid cutting risks.

WARNING



Contact a Service Centre authorised by the Manufacturer to reverse the door on the Divino 23 - Divino 35 models.

If the door on the Divino 23 - Divino 35 models is to be reversed, it must however be completely replaced with one designed for reverse opening.

An optional kit must be purchased to reverse the door on the **Divino The 8** model.

For more information on the optional door reversing kit, contact the manufacturer's Customer Service department.

IMPORTANT



In all cases, door installation and reversal procedures must be carried out by a qualified installer.

4.6 Electrical connection



The operations indicated in this paragraph must be performed by a qualified installer. Always use PPE (Personal Protective Equipment) to avoid cutting risks.

WARNING



In case of power connection from AC mains, to avoid the risk of serious personal injury, ensure that it is equipped with cut-off devices (switches) which permit total disconnection of the product current and protective devices which automatically intervene in the event of malfunction.

In order connect the unit to the vehicle's electrical system, proceed as follows:

- Before turning on the product, check to make sure that the voltage of the electrical system and/or battery complies with that which is indicated on the unit's data plate.
- Connect the product directly to the battery or to the relative main switch and make sure that the system is equipped with an electric device that's capable of protecting the circuit against possible overcurrents.

IMPORTANT



If the power supply voltage is different from 12/24Vdc, install a ΔI 0.03A differential circuit breaker. Avoid connecting the unit via the vehicle's control panel as this could result in voltage drops.

- Insert a fuse upstream from the product for the Divino The 8 model (see the table below). Connect the red wire to the electrical system's positive terminal, and connect the black wire the negative terminal. Use a pressed lug terminal that is suitable for the cable's size.
- A separate switch that simultaneously disconnects the power cables must be installed upstream from the product.

Model	12Vdc	24Vdc
Divino The 8	15A	7.5A

WARNING



If there is a battery charger, it must be connected to the battery and never directly to the product.

IMPORTANT



All wiring diagrams can be found in paragraph 10 on page 57.

4.6.1 Size of electrical cables for the Divino The 8 model

Always use cables of a suitable cross-section. The minimum cross-sections are listed in the table below:

Cross-section mm ²	AWG section	Max cable length 12V m/ft	Max cable length 24V m/ft
2.5	13	2.5/8	5/16
4	11	4/13	8/26
6	9	6/19	12/39
10	7	10/33	20/66

4.6.2 Low voltage protection for the Divino The 8 model

In order to prevent excessive battery depletion, a protection device shuts off the compressor in case of insufficient voltage and turns it back on when the voltage in the system increases after the batteries have been charged.

System Voltage	Shut-down Voltage	Minimum Operating Voltage
12 V	9.6 (10.4) V	10.9 (11.7) V
24 V	21.3 (22.8) V	22.7 (24.2) V

If the bridge is removed between C and P, the values indicated in the parentheses are valid.

WARNING



Before switching on the product, always make sure that the batteries are in optimal condition.

5. Usage instructions

WARNING



If you notice any irregular operation, first of all consult the "TROUBLESHOOTING" section later in this manual. It will help you solve problems that are not caused by faults and can be resolved easily.

In any other case, do not try to repair the product yourself but contact qualified personnel or your dealer to avoid possible damage or danger, including to yourself. Any unauthorised tampering will void the product warranty.

WARNING



Check for any visible damage on the refrigerator's mechanical and electrical components prior to use.

Before using the product:

- Switch off the product if it is on.
- Make sure that all packaging materials have been removed.
- Thoroughly clean the inside of the product and its accessories with warm water and neutral soap, then dry completely with a cloth.
- Clean the outside of the product with a soft damp cloth.
- Wait for the product to dry completely.
- Connect the product to the power supply as indicated in the relative paragraph.

5.1 Switching on



The operations indicated in this paragraph can be performed by a user.

To switch on the product:

- For the **Divino The 8 Wine Cellar** model, the switch must be turned to the right or left (see paragraph 5.3.1 on page 35).
- For the **Divino 23 - Divino 35 Wine Cellar** models, the on/off button, located near the display, must be pressed and held down for 4 seconds (see paragraph 5.3.2 on page 36).

5.2 Usage recommendations

- Turn the product on for about 6 hours prior to inserting the wine bottles.
- Open the product less frequently for lower power consumption.
- Do not obstruct the product ventilation system.
- Check the batteries and their level of charge regularly.
- Keep the inside of the product clean and dry.
- To keep the aesthetic surfaces in good conditions and intact, make that they are always clean and dry.

5.3 Temperature setting



The operations indicated in this paragraph can be performed by a user.

NOTE



The temperature and active operating time of the product depend on the room temperature, the size and condition of the battery, the electrical load of other devices in the vehicle, the content of the product and the frequency of use.

NOTE



When the vehicle is exposed to full sunlight, it is strongly recommended that adequate ventilation of the vehicle/cab be activated.

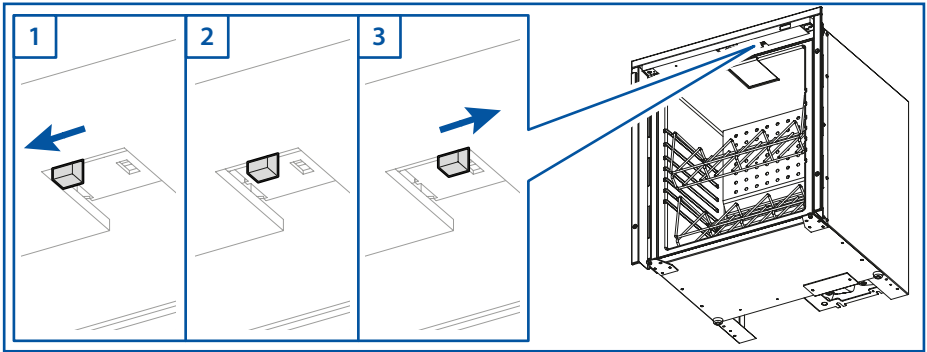
5.3.1 Setting the temperature on the Divino The 8 model

On the **Divino The 8 Wine Cellar** model, the appropriate switch (see figure) must be used to regulate the temperature inside the compartment.

The switch has 3 possible positions:

- 1) Left position (MIN): minimum cooling power setting. The temperature inside the compartment reaches approximately 13-15°C, which is suitable for storing white wine.
- 2) Middle position (OFF): product off.
- 3) Right position (MAX): maximum cooling power setting. The temperature inside the compartment reaches approximately 4-6 °C, suitable for storing red wine.

To turn the product off, simply turn the switch to the middle position; to turn it on, turn it to the left or right.

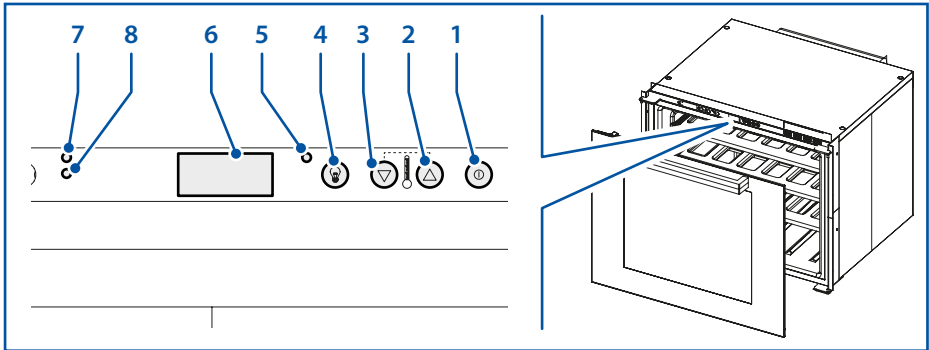


5.3.2 Setting the temperature on the Divino 23 model

On the **Divino 23 Wine Cellar** models, the appropriate buttons on the control panel (see figure) must be used to regulate the temperature inside the compartment.

Control functions:

- 1) Product ON/OFF button
- 2) Button to increase the temperature inside the compartment
- 3) Button to decrease the temperature inside the compartment
- 4) LED strip ON/OFF button
- 5) Power indicator light
- 6) Display
- 7) LED strip ON/OFF indicator light
- 8) Compressor/fan operation indicator light



When the product is connected to the power supply, the display **(6)** lights up automatically and shows the temperature set inside the compartment (factory setting is 15°C).

To change the temperature inside the compartment:

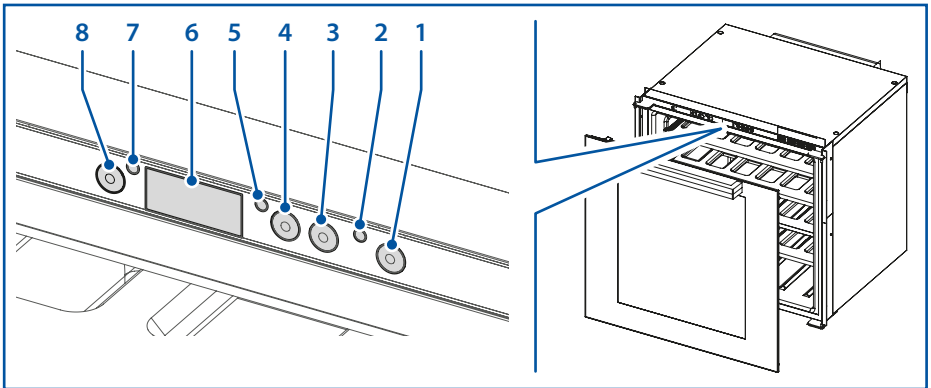
- Press and hold button **(2)** for about 1 second; the temperature indicator on the display **(6)** will start to flash.
- Press buttons **(2)** or **(3)** to increase or decrease the temperature inside the compartment until the desired temperature is reached.
- Wait 5 seconds without pressing any other buttons until the temperature indicator on the display **(6)** returns to steady position; the chosen temperature will then be set.
- Wait for the temperature change to take effect.

5.3.3 Temperature setting for the Divino 35 model

On the **Divino 35 Wine Cellar** models, the appropriate buttons on the control panel (see figure) must be used to regulate the temperature inside the compartment.

Control functions:

- 1) Product ON/OFF button
- 2) Power indicator light
- 3) Button to increase the temperature inside the compartment
- 4) Button to decrease the temperature inside the compartment
- 5) Compressor/fan operation indicator light
- 6) Display
- 7) LED strip ON/OFF indicator light
- 8) LED strip ON/OFF button



When the product is connected to the power supply, the display **(6)** lights up automatically and shows the temperature set inside the compartment (factory setting is 15°C).

To change the temperature inside the compartment:

- Press and hold button **(3)** for about 1 second; the temperature indicator on the display **(6)** will start to flash.
- Press buttons **(3)** or **(4)** to increase or decrease the temperature inside the compartment until the desired temperature is reached.
- Wait 5 seconds without pressing any other buttons until the temperature indicator on the display **(6)** returns to steady position; the chosen temperature will then be set.
- Wait for the temperature change to take effect.

5.4 Positioning bottles inside the product



The operations indicated in this paragraph can be performed by a user.

After setting the desired temperature, wine bottles can be placed inside the product compartment. For the **Divino The 8** model, bottles must be placed with the cap facing upwards.

The use of accessories for positioning the wine bottles is at the discretion of the user; the use of these accessories is recommended to prevent the wine bottles from changing position during vehicle movement.

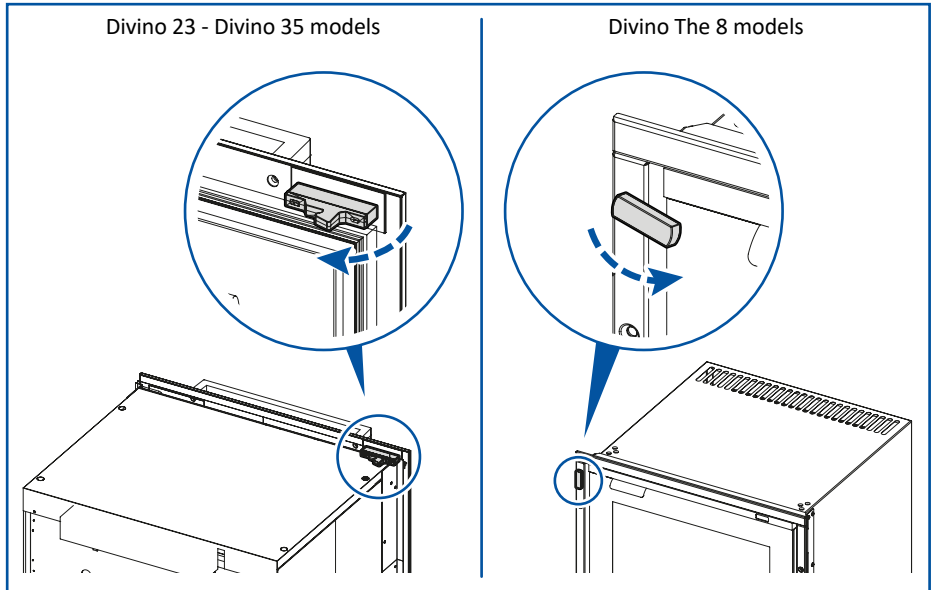
IMPORTANT



The product has been designed for use with wine bottles having dimensions equal to or smaller than a Bordeaux-type bottle.

The maximum capacity of the product shown cannot be guaranteed if the product is used for bottles of wine that are larger than the Bordeaux type.

After positioning the bottles, use the safety lock (see figure) to prevent the door from inadvertently opening while the vehicle is moving, letting the bottles out.



In order to have access to the bottles placed on the lower metal grid in the **Divino The 8** model, it is advisable to move the upper grid slightly outwards from the compartment. Perform this operation making sure that there are no wine bottles in the upper grid.

5.5 Positioning accessories



The operations indicated in this paragraph can be performed by a user. Always use PPE (Personal Protective Equipment) to avoid cutting risks.

NOTE



After positioning the accessories, make sure that no bottles inside the product can move while driving.

5.5.1 Metal grids for the Divino The 8 model

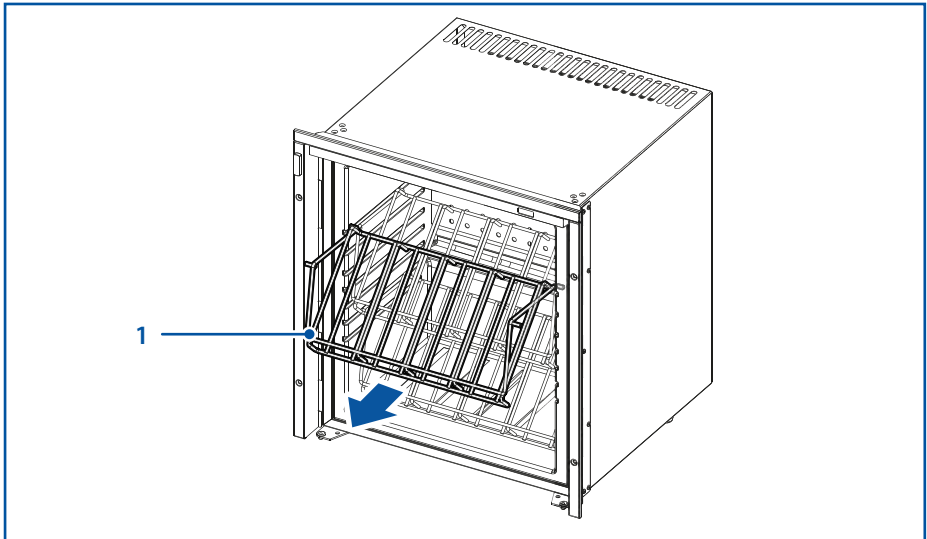
Two metal grids (**1**) are supplied to organise the bottles inside the product compartment.

To remove the metal grids (**1**), simply slide them outwards from the compartment along the side slots.

WARNING



Before handling the metal grids, all wine bottles on the grids must be removed in order to avoid accidental breakage.



To reposition both metal grids, insert them starting from the lower one, sliding it along the appropriate slots.

You can then reposition the upper grid, sliding it along the appropriate slots.

If only one grid is to be used, it can be positioned in the desired slots.

5.5.2 Wooden shelves for Divino 23 - Divino 35 models

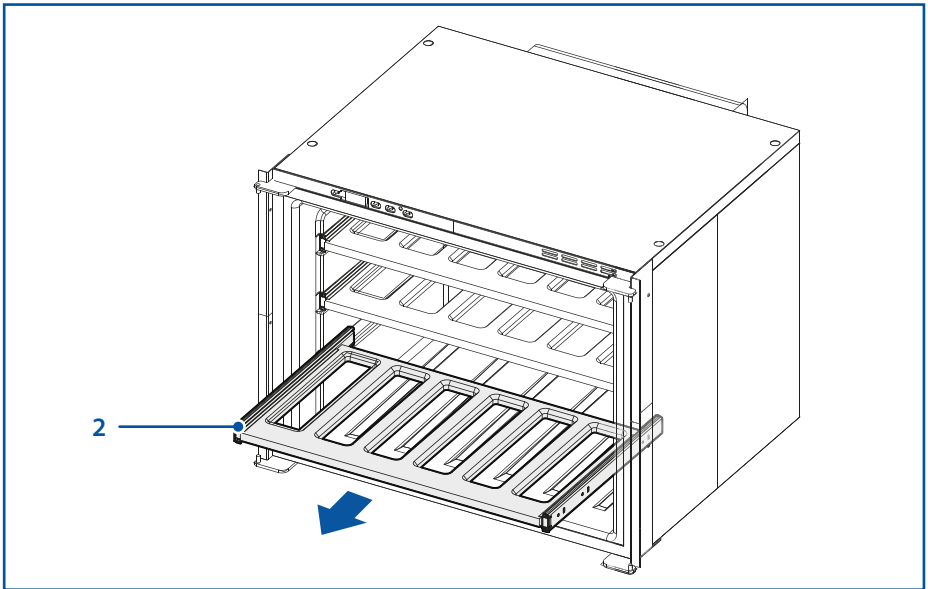
Two wooden shelves (2) are supplied to organise the bottles inside the product compartment.

To remove the wooden shelves (2), simply slide them outwards along the side slots.

WARNING



Before handling the wooden shelves, all wine bottles on the grids must be removed in order to avoid accidental breakage.



5.6 Shut-down and putting out of service



The operations indicated in this paragraph can be performed by a user.

Switch off the product before defrosting or storing the vehicle:

- For the **Divino The 8 Wine Cellar** model, turn the switch towards the middle to switch off the product (see paragraph 5.3.1 on page 35).
- For the **Divino 23 - Divino 35 Wine Cellar** models, the on/off button must be pressed and held down for 4 seconds (see paragraph 5.3.2 on page 36).

If you will not be using the product for a long period of time:

- Empty the product.
- Defrost the product completely and remove any condensation that has formed, to avoid damage to the product or to electrical/mechanical components and/or the formation of mould.
- Thoroughly clean the entire product.

NOTE



The natural defrosting time can vary from a few minutes to several hours.

6. Maintenance

WARNING



All maintenance and replacement operations, disposal of the power circuit upstream of the product and of the power source must be handled by qualified personnel.

This chapter contains a complete list of requirements and procedures related to maintenance of this product. Good maintenance includes periodic operations that include various types of cleaning.

If you do not understand any of the information or procedures contained in this chapter, please contact the Manufacturer for clarification before proceeding.

If product maintenance is carried out in a manner that does not comply with the instructions supplied, with non-original spare parts or without written authorisation from the Manufacturer, or in any case in such a way as to compromise its conditions or modify its characteristics, the Manufacturer will be relieved of any responsibility regarding the safety of persons or faulty operation of the product.

Any unauthorised modifications will invalidate the contractually defined warranty.

NOTE



Do not perform any kind of intervention, modification or repair other than those indicated in this manual.

DANGER



Always disconnect the product power supply before carrying out any work on it in order to avoid damage and health hazards.

The products referred to in this manual are equipped with closed cooling systems, which do not require maintenance or refrigerant refills.

The compressor is specifically designed for mobile applications and guarantees maximum performance and durability. In the winter, the product must be stored inside the vehicle, but the compressor will not work at temperatures near or below 0°C.

6.1 Routine maintenance

6.1.1 Cleaning



The operations indicated in this paragraph can be performed by a user. Always use PPE (Personal Protective Equipment) to avoid cutting risks.

It is important to clean the product regularly for optimum performance:

- Switch off the product.
- Remove the accessories inside the product compartment.
- Thoroughly clean the inside of the product and its accessories with warm water and neutral soap, then dry completely with a cloth, avoiding any condensation/water residue.
- Clean and dry completely the mechanical parts inside the product.
- Completely clean the outside of the product (especially the aesthetic parts) with a soft, damp microfibre cloth.
- Wait for the product to dry completely.
- Turn the product back on.

WARNING



Do not use abrasive cleaners, metal abrasive sponges or hard brushes.
These may damage the product.
Do not clean the product with aggressive, caustic or soda-based soaps or cleaners.

WARNING



Do not expose the product to water.

NOTE



The free parts of the product are not suitable for washing in dishwashers.

NOTE



The presence of dust under the product can block the air flow necessary for correct operation.
Therefore, frequently remove all dust in this area using, for example, a Hoover.

6.1.2 Cleaning the condensing unit



The operations indicated in this paragraph can be performed by a user. Always use PPE (Personal Protective Equipment) to avoid cutting risks.

- Switch off the product and disconnect it from the power supply.
- Use a gentle brush, Hoover or low pressure compressed air to clean the condensing unit foils, removing all accumulated dust.
- Remove any dust present on the mechanical and electrical components.
- Re-connect the product to the power supply and switch it back on.

WARNING



Do not use compressed air jets.

Do not use metal brushes.

Do not use high pressures as doing so may cause deformation to the condensing unit foils.

NOTE



The accumulation of dust and grease on the refrigeration condensing unit can cause overheating that can irreparably compromise compressor operation. The condensing unit must always be cleaned when necessary.

6.1.3 Checking for condensation inside the compartment



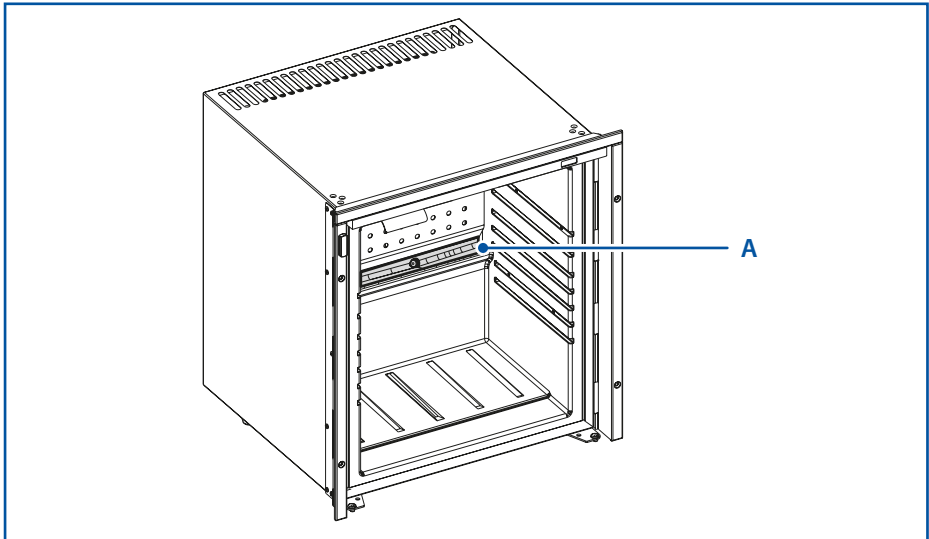
The operations indicated in this paragraph can be performed by a user. Always use PPE (Personal Protective Equipment) to avoid cutting risks.

There is a special position **(A)** inside the product, on the inside back of the compartment, which contains the discharge of condensate/water that ends up on the drip tray through a hole located above the condenser.

Periodically check that the condensate/water does not remain blocked in the tray **(A)**; if it does, make sure that the hole is not clogged.

To clear the hole:

- Switch off the product and disconnect it from the power supply.
- Remove the bottles and the accessories inside the product compartment.
- Free the tray **(A)** of any condensate/water present.
- Use a grommet probe or similar tool to remove any obstructions in the drain hole.
- Check that water flows through the hole.
- The accessories and bottles can then be placed back in the compartment.
- Re-connect the product to the power supply and switch it back on.



6.1.4 Defrosting



The operations indicated in this paragraph can be performed by a user. Always use PPE (Personal Protective Equipment) to avoid cutting risks.

Since the evaporator operates at temperatures well below freezing, ice and frost will inevitably form upon it.

The humidity in the air, the temperature and the frequency with which the doors are opened can also greatly influence the formation of frost. Ice can accumulate inside the compartment.

The product should always be defrosted when the layer of frost reaches a thickness of 3-4 mm or more. Otherwise the product may suffer a drop in performance.

To defrost the product, proceed as follows:

- Remove all food.
- Switch off the product (see paragraph 5.6 on page 42).
- Remove ice and frost from the walls, avoiding using sharp objects as this could damage the product and cause refrigerant leaks.
- For the Divino The 8 model only, remove, empty and dry the drip tray above the condenser. A towel can be placed at the base of the product during the defrosting procedure in order to facilitate water collection.
- Only turn the product back on once it has been defrosted, cleaned and thoroughly dried.

NOTE



Defrosting should be performed when the products can remain as cool as possible outside of the product.

NOTE



Avoid using sharp objects as this could damage the product and cause refrigerant leaks.

WARNING



Do not accelerate the defrosting process by forcing removal of the layer of ice or with sharp objects or using a hair dryer or other electrical device.

6.2 Special maintenance

Special maintenance operations are those carried out following breakdowns or malfunctions which may involve the replacement of certain components by specialised and authorised technical personnel.

WARNING



All special maintenance operations must be carried out by technical personnel authorised by the Manufacturer.

7. Troubleshooting

WARNING



All work on electrical parts or electrical connections and the refrigerant circuit must be carried out by technical personnel authorised by the Manufacturer.

DANGER



Disconnect electrical power before performing any operations on electrical parts or on electrical connections.

Defect	Possible cause	Intervention
The product does not cool, the compressor will not start.	<p>No electrical power.</p> <p>For the Divino The 8 model only: battery in poor conditions.</p> <p>Faulty thermostat.</p> <p>Defective electronic control unit.</p>	<p>Check to make sure that the electronic control unit is receiving sufficient power and voltage; check the fuse.</p> <p>Verify that the internal lighting is working and that the compressor is receiving power.</p> <p>Check the cables, lugs and connectors.</p> <p>Verify that the battery is charging properly.</p>
For the Divino The 8 model only: the compressor only performs brief attempts at starting up.	<p>There is insufficient voltage or else a drop in voltage during the attempt to start.</p> <p>The protection device is activated.</p> <p>The Batteries are drained.</p>	<p>Check the cables and connections; remove any traces of oxidation or corrosion.</p> <p>Charge the batteries, start the motor or connect the battery charger.</p>
The compressor functions but doesn't cool.	<p>Loss of refrigerant through the evaporator or the tubing.</p> <p>Tubing clogged.</p>	<p>Carry out a leak check and repair any leaks, drain and refill the proper amount of R134a refrigerant.</p>

Defect	Possible cause	Intervention
The compressor runs for a long time but doesn't cool properly (reduced efficiency).	<p>Insufficient ventilation, the condensation unit is overheating.</p> <p>Too much frost in the internal compartment, which prevents the door from closing properly, letting hot, moist air enter.</p> <p>The condenser is blocked by dust.</p>	<p>Check the conditions of product installation. If possible, remove the product from the installation cabinet: if performance improves, make improvements in the ventilation system (see 4.3 on page 24).</p> <p>Replace the fan.</p> <p>Defrost. Correct the position of the door and check the gasket.</p> <p>Clean the condensing unit.</p>
For the Divino The 8 model only: the fuse blows.	<p>The wrong fuse is being used.</p> <p>Defective electronic control unit.</p>	<p>Check the fuse: see table in section 4.6 on page 31.</p> <p>Replace the electronic control unit.</p>
For the Divino The 8 model only: the compressor is operating intermittently.	<p>Battery low or electrical cables in poor conditions.</p>	<p>Check wiring conditions, examining for loose connections, rust or verdigris.</p> <p>If the wiring must be replaced, please refer to the manual for the correct size.</p> <p>If the wiring is in good condition, check the functionality of the battery and replace it if it is in bad condition.</p>
The compressor never stops (correct product performance)	<p>Condensation is not working properly, evaporator cools but not enough to cause the thermostat to stop the compressor.</p> <p>Room temperature exceeding the climate class of the product.</p> <p>Insufficient ventilation.</p>	<p>Check the room temperature against that of the product.</p> <p>Check the conditions of product installation. If possible, remove the product from the installation cabinet: if performance improves, make improvements in the ventilation system.</p>

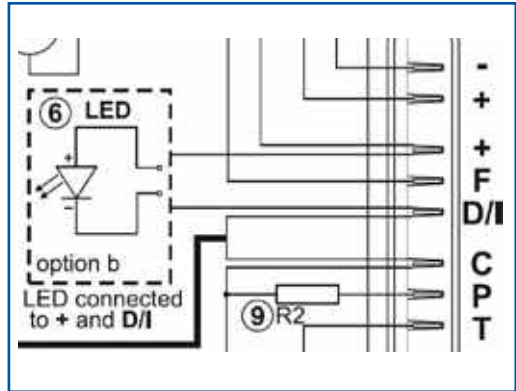
Defect	Possible cause	Intervention
The compressor never stops (poor product performance)	Room temperature exceeding the climate class of the product. Insufficient ventilation. Little gas in the refrigerant circuit.	Check the room temperature against that of the product. Check the conditions of product installation. If possible, remove the product from the installation cabinet: if performance improves, make improvements in the ventilation system (see 4.3 on page 24). If ventilation is instead optimal, check for the presence of gas in the system, contacting a specialised technician.
Excess ice on the evaporator.	Moisture infiltrations in the product.	Check the conditions of the gasket on all four sides of the door. The gasket must close perfectly on the unit. If the formation of ice is thicker on one side, most likely there is moisture infiltration in the product is coming from that side. Use a moderate heat source to model the gasket into position. Replace the entire door if problem persists.
The product cools too much.	The sensor is defective.	Contact the service centre and replace the sensor.
The compressor is noisier than normal.	The compressor is not properly secured on its support or it is touching the wall.	Check that compressor screws are properly tightened and that nothing is in contact with it. The compressor vibrates and, if something is in contact with it, vibrations increase.
The internal light does not switch on.	LED board broken	Contact the service centre and replace the board.
The door is not closing properly.	Incorrect position of the hinges. Gasket deformed.	Check the positioning of the hinges and realign them if necessary. Use a moderate heat source to remodel the gasket. Replace door if problem persists.

For more complicated defects requiring specialised assistance, please contact the IWM network or an Authorised Distributor.

7.1 LEDs for diagnostics of the Divino The 8 model

The electronic control unit has a troubleshooting function when a LED is connected as shown below.

This check can be carried out on models with mechanical temperature control.



The number of flashes indicates the type of error.

Number of LED Flashes	Type of Error	Solution
6	Defective sensor (the sensor is defective or disconnected)	Re-connect the sensor and verify that the compressor starts working again. Replace sensor if the compressor does not work.
5	Thermal protection of the electronic control unit (the electronic control unit overheats if the refrigeration system has become overloaded or the environmental temperature is too high)	Remove excess gas or increase ventilation.
4	Minimum motor speed error (if the refrigeration system has been overloaded, the motor cannot maintain minimum speed of approximately 1.850 RPM)	Remove excess gas.
3	Motor starting error [the rotor is blocked or pressure inside the refrigerant circuit is too high (> 5 bar) Defective electronic control unit.	The first operation to attempt is to replace the electronic control unit. Replace compressor if problem persists.
1	Battery protection (voltage is outside the maximum and minimum voltages)	Check power cable conditions. Replace with new cables if necessary. Check battery conditions.

7.2 Display Diagnostics

The display on the **Divino 23 - Divino 35** models is equipped with a self-diagnostic system. Errors will be shown on the display if any malfunctions occur.

The error signal sequence will repeat until the system is reset.

Error	Error Identification	Solution
E1	Defective sensor (the sensor is defective or disconnected).	Reconnect the sensor and verify operation or replace the sensor.

8. Warnings for disposal

WARNING



All maintenance and replacement operations, disposal of the power circuit upstream of the product and of the power source must be handled by qualified personnel.

This product complies with the Directive 2012/19/EU regarding waste electrical and electronic equipment (WEEE).


The product's proper disposal is essential to preventing negative consequences for the environment and human health.



The symbol shown on the product, the packaging and/or the accompanying documentation indicates that the product should not be disposed of as household waste. The product must be taken to an authorized collection centre for the recycling of electrical and electronic equipment. The product must be disposed of in compliance with the current local environmental regulations regarding waste disposal.

For more information regarding the disposal, recycling and reuse of the product, please contact your local authorities, your local waste collection service or the retailer/distributor from whom the product was purchased.

Packaging is manufactured from recyclable material. It bears the recycling symbol and must be disposed of at an appropriate collection centre.

The symbol  indicates that the product complies with all European Union provisions provided for its use.

The refrigerant contained in the product must be handled in accordance with current environmental regulations and good industrial practice. Avoid any leakage or spillage into the environment or emission into the atmosphere.

9. Warranty

The Indel Webasto Marine warranty complies with EU Directive 2019/771.

Validity period

The product warranty is valid for 2 years with regard to the cost of labour for repair or replacement, but only if carried out by IWM network, and therefore authorised, service centres.

For specific conditions of validity in the USA, please contact Indel Webasto Marine USA.

The validity period starts from:

- 1) The date of sale indicated on the product invoice or sales receipt.
- 2) The date of the invoice or registration document of the first sale of the vehicle in which it is installed, if installed by the manufacturer of the vehicle.
- 3) In the absence of one of the above documents, the week of production indicated in the S/N (serial number).

Replacement of a product or component does not change the validity period.

The warranty covers:

- Replacement or repair of the product or of one or more components acknowledged to be faulty due to manufacturing defects.
- Breakage or malfunction of components under warranty validity despite proven proper installation and proper use.
- Labour and transport according to the operating methods described below.
- Costs for shipping the replacement product (not including charges for customs clearance).

The warranty does not cover defects, damage or malfunctions caused by:

- Negligence, neglect or improper use
- Incorrect installation or incautious handling
- Insufficient ventilation
- Incorrect electrical connection
- Undersized wiring
- Improper maintenance or maintenance performed by unauthorised personnel
- Failure to follow the instructions contained in this manual
- Transport damage
- Charges for customs clearance
- Objects subject to wear
- Professional use
- Damage caused by weathering
- Costs for dismantling and/or reassembling cabinets or other structures

Essential information for determining whether the case is covered by the warranty:

- Product code (indicated on the product label)
- S/N (serial number) (indicated on the product label)
- Invoice or sales receipt (or possibly registration document, see above in Validity period section)
- Detailed description of the defect (Attach photos if possible)
- Description of installation with particular attention to ventilation and wiring (Attach photos if possible)
- (If it is determined that the case is not covered under warranty, the customer must pay all expenses for repairs, replacements, labour, travel of persons and transport. IWM is not required to bear any expense.)

Operating procedures to be applied once it is ascertained that the case is covered by warranty:

Warranty repair of products installed in boats must be performed exclusively by service centres (CAT) that are part of the IWM network (see list at www.indelwebastomarine.com). IWM does not cover costs for service performed by others.

For products installed on boats, an IWM authorised CAT technician will come to the boat if it is located at a distance of maximum 100km from the CAT. IWM shall cover the cost of this transfer. If the boat is over 100km away, the customer can choose whether to pay the cost of the technician's transfer (in this case paying the technician directly), or to move the boat closer.

To locate the nearest service point and for travel coverage terms in the USA, please contact Indel Webasto Marine USA. IWM does not reimburse any expenses for spare parts purchased elsewhere.

Products installed on Recreational vehicles (RV):

Warranty repairs must be performed exclusively by service centres that are part of the Webasto network.

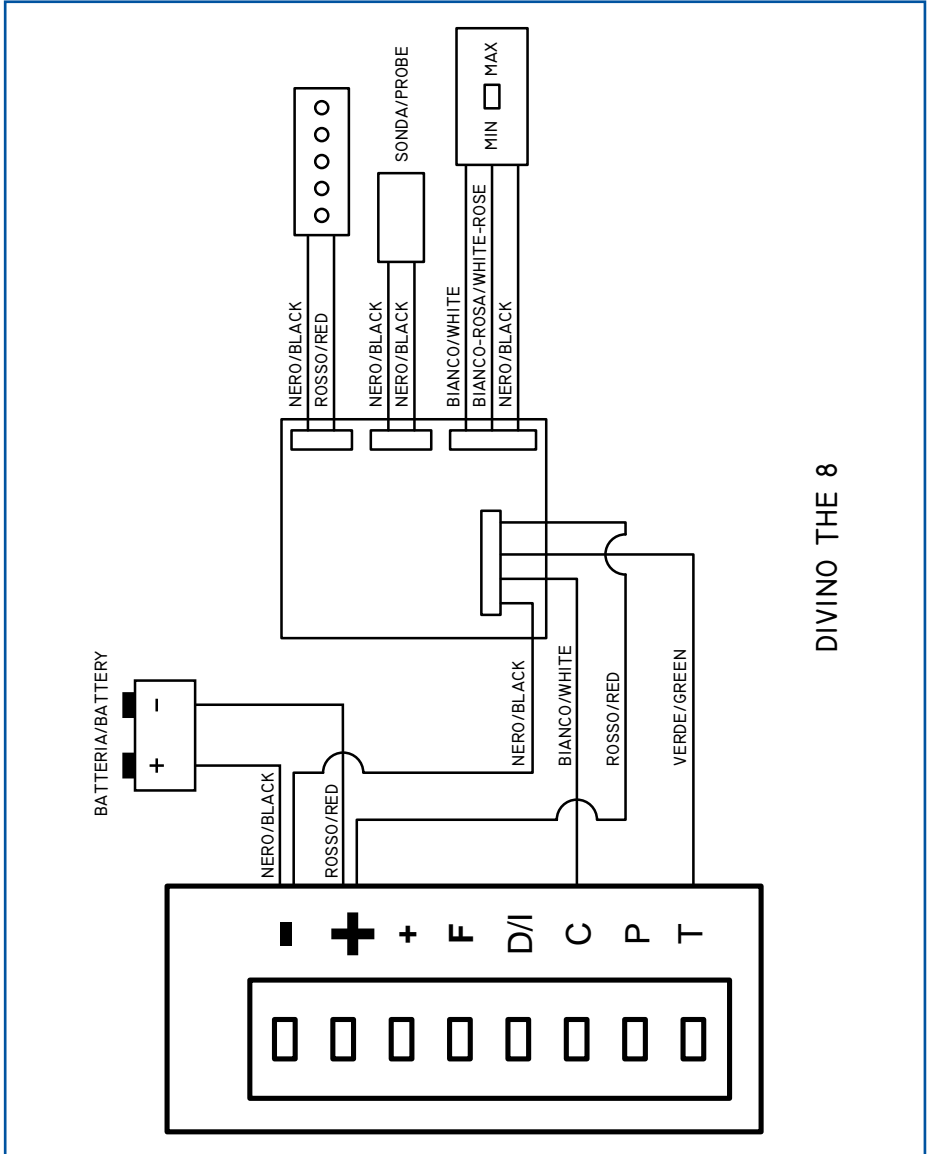
The vehicle must be brought to the service centre.

Find the service centre nearest to you at www.webasto.com

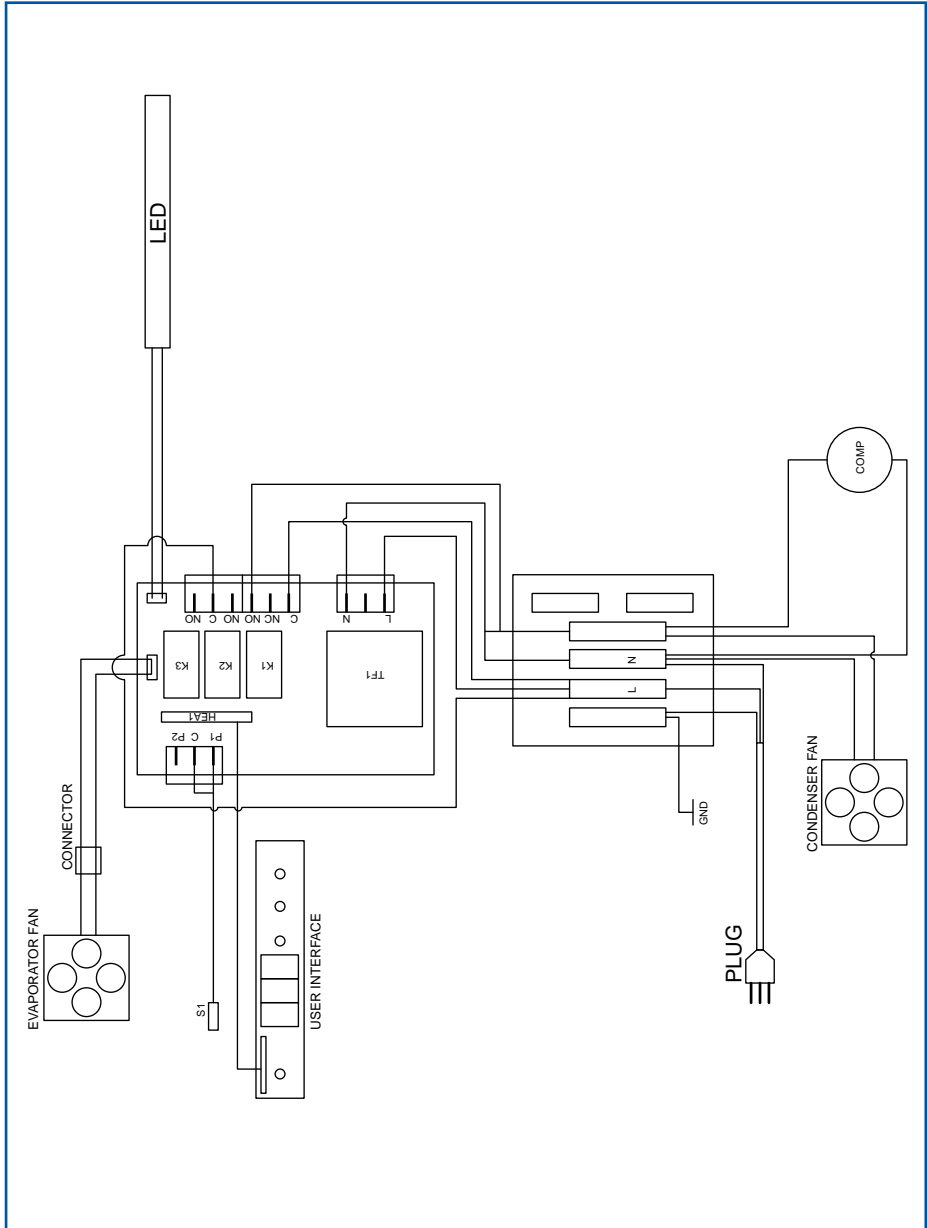
For the condition of products installed in recreational vehicles in the USA, please contact Indel Webasto Marine USA.

10. Attachments

10.1 Divino The 8 wiring diagram



10.2 Divino 23 - Divino 35 wiring diagram





Indel Webasto Marine Srl
Via Montefeltro, n° 118/c - Secchiano
47863 - Novafeltria (RN) - ITALY
Tel. +39 0541 848030
E-MAIL: info@indelwebastomarine.com
WEB: www.indelwebastomarine.com



Indel Webasto Marine USA
3391 SW 42nd Street
Hollywood FL - 33312
Phone (954) 984 8448 - Fax (954) 979 2533
E-MAIL: info@iwmarine.com
WEB: www.indelwebastomarine.com/us