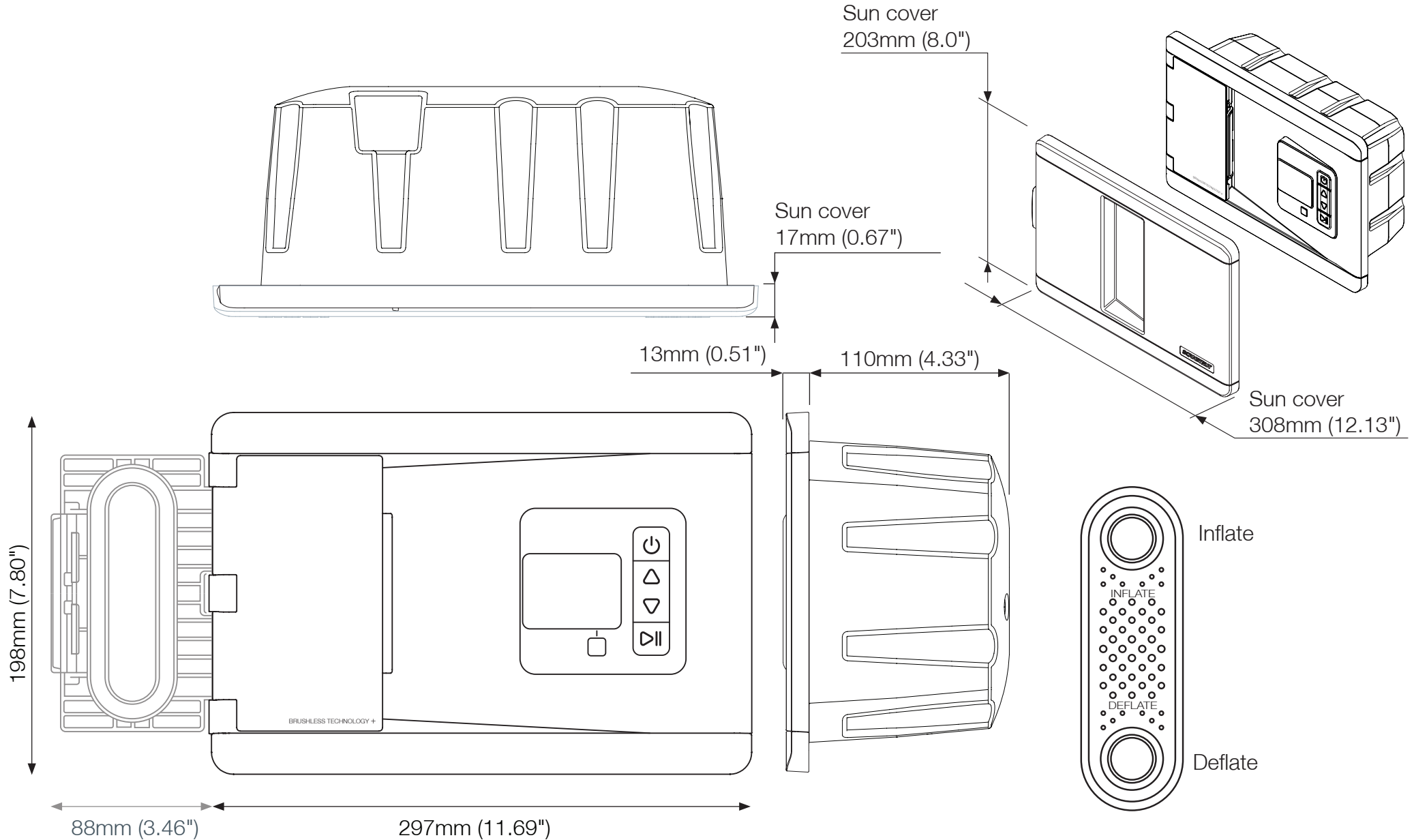
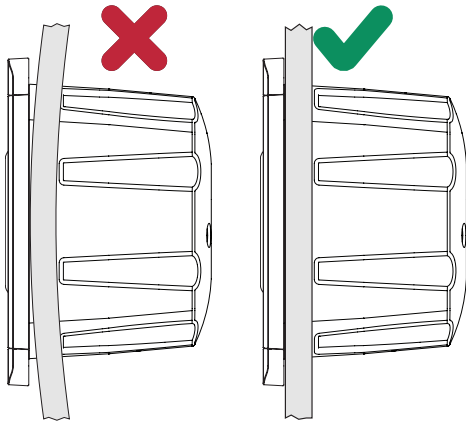


ATMOS - Brushless 12V Integrated Airstation

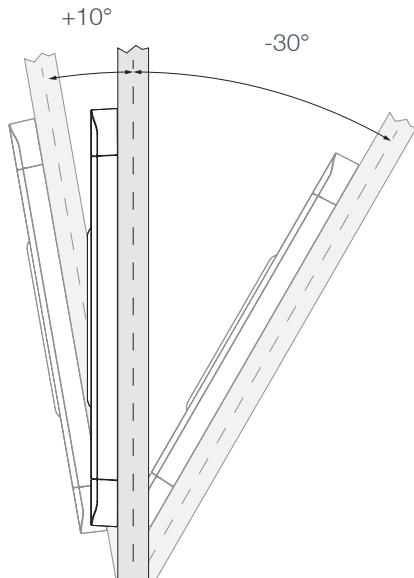
Email: sales@scanstrut.com Email: usasales@scanstrut.com



MOUNTING GUIDE



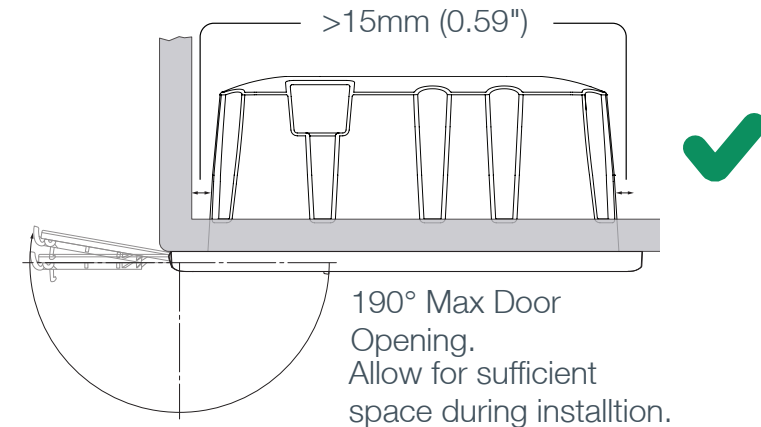
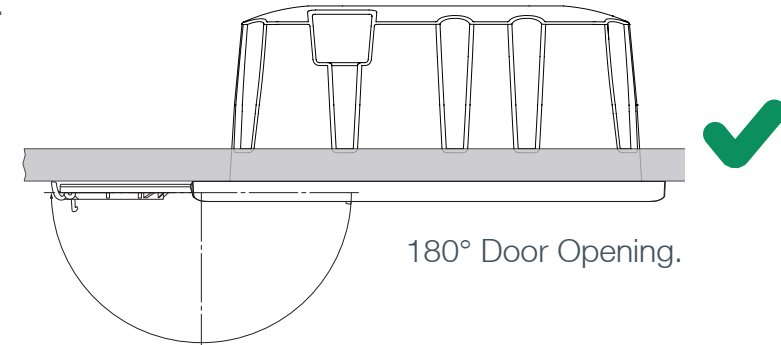
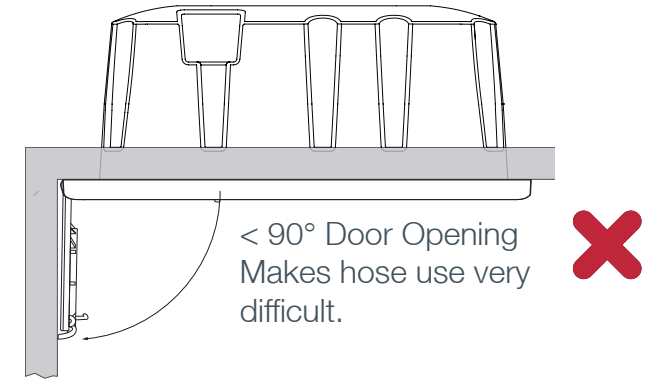
ATMOS must be installed on a flat surface. The chosen surface should be rigid and have a minimum thickness of 3mm/ 0.12". This thickness requirement is essential to provide sufficient support and stability.



ATMOS must ONLY be installed at an angle ranging from +10° to -30° from vertical. This is essential to prevent the accumulation of water in the door chamber or inside the pump housing.

LOCATION REQUIREMENTS

To allow door to open fully, carefully choose an installation location with sufficient clearance. This will ensure that the product can be used with ease and convenience.



Key Technical Data

Performance	
Time to inflate 10ft 6" SUP to 20 PSI	6 to 8 mins
Time to inflate towable to 1.5 PSI	> 3 mins ≈
Time to deflate 10ft 6" SUP	> 1 min ≈
Time to deflate towable	> 1 min ≈
Time to inflate a swim platform to 5 PSI	> 16 mins ≈
Time to inflate a 12ft dinghy to 3 PSI	> 13 min ≈
Screen	LCD, high brightness and colour, daylight viewable, wide viewing angle
Screen Information	PSI or BAR; pre-set pressure; voltage readout
Stand-by mode	No activity auto power-off at 5 mins
Auto shut-off	At target pressure

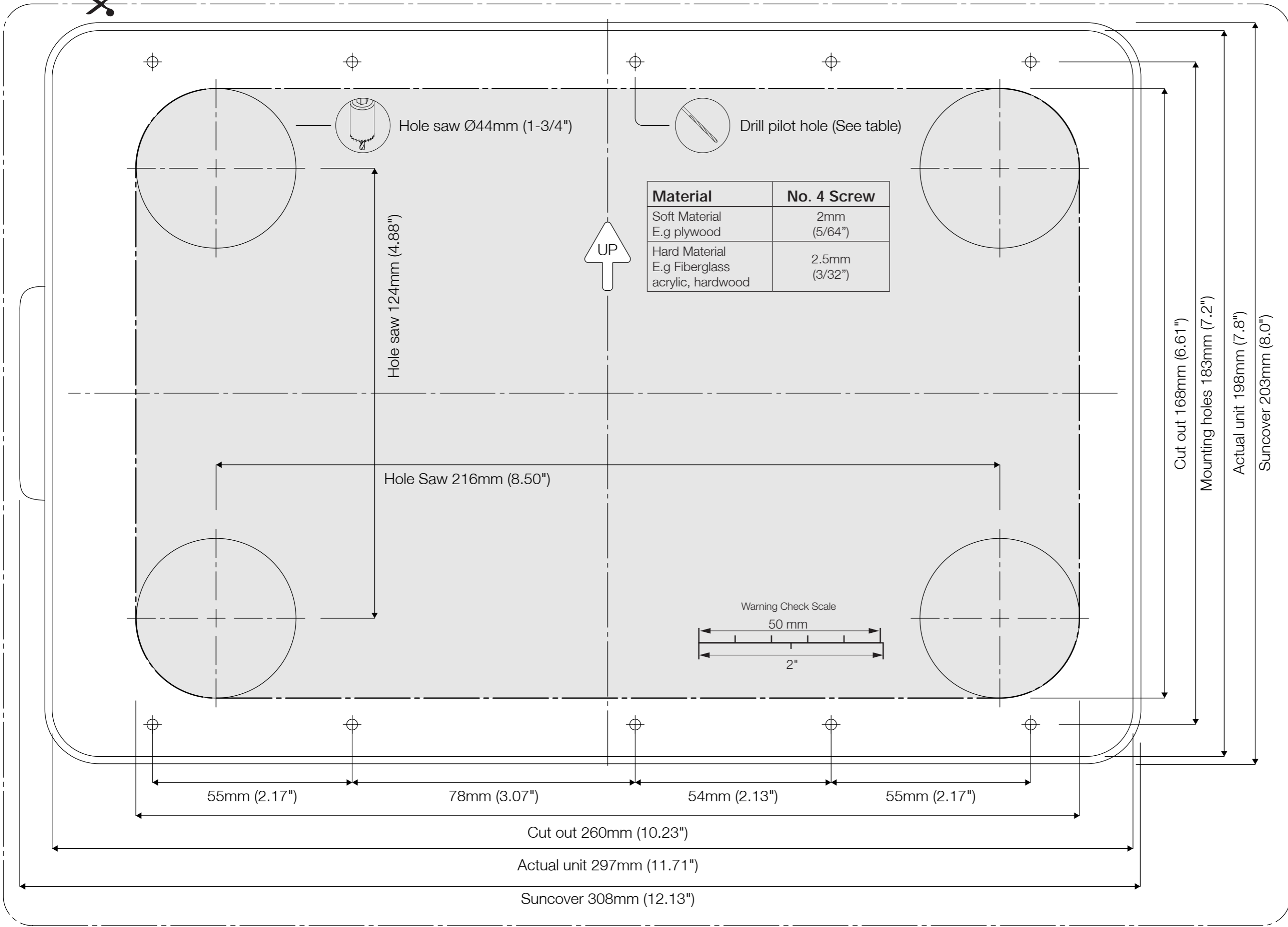
Technical	
Max pressure	20 PSI / 1.37 BAR
Max volume of airflow 0-1 PSI	350 LPM/12.3 CFM
Max volume of airflow 1-20 PSI	70 LPM/2.5 CFM
Included valve connectors	Boston Valve, C7 Valve, H3/HR Valve, Pinch Valve, 805 Valve
Length of hose included	2.5m (8ft). Includes net storage bag
Input voltage	12V Battery system (11.5 – 14.5V)
Max current draw	12A (140W)
Standby power draw	0.1W Max
Two stage pump	Stage 1 = 0 - 1 PSI Stage 2 = 1 - 20 PSI
Ambient operating temp	-20° to +50 °C
Max run time per session	25 mins
Max noise level (unmounted)	85 dB

Installation	
How?	Panel mounted using self-tapping screws. Or bolts (not included).
Where?	Fit into a wide variety of locations on board: seating, side panels or consoles. Min cavity depth 110mm (4.33")
Installation angle?	+ 10° to - 30° from vertical
Service?	No end-user serviceable parts
Ignition protected?	Yes

Environment	
Protection	Reverse polarity, short-circuit, under voltage, overload, over temp.
Environmental protection	Conformal coated electronics and PCB
Certifications	CE, ROHS, UN ECE R10, UKCA
Cable length	500mm (20") 2x 1.5mm ² 16 AWG
Waterproof rating	IPX6 front and rear (door closed)
Air flow	In and out of front of unit only. Rear of unit sealed



Print document 1:1 scale for correct cutting template size. Paper Size A3



Material	No. 4 Screw
Soft Material E.g plywood	2mm (5/64")
Hard Material E.g Fiberglass acrylic, hardwood	2.5mm (3/32")